

# BODE Eurodispenser 1 plus



## Properties

Robust, autoclavable metal dispenser for the hygienic application of hand disinfection, cleansing and care products. Easy pump exchange through removal from the front. BODE Eurodispenser 1 plus is a user-friendly dosing dispenser, that can be utilised flexibly. Advantages at a glance:

- all removable parts completely autoclavable
- easy installation even with limited space
- all standard bottles insertable
- dosing amount adjustable to approx. 0.75 to 1.5 ml per actuation
- delivery incl. mounting parts, instruction sheet and manual

## Set-up

- Open cover with panel, control lever and outlet screen
- Wall plate with three drilled holes (identical to Eurodispenser 1)
- Pump

## Technical data

Dispenser for	350/500 ml	1000 ml
Depth incl. short arm lever	160 mm	160 mm
Height	315 mm	360 mm
Width	82 mm	90 mm

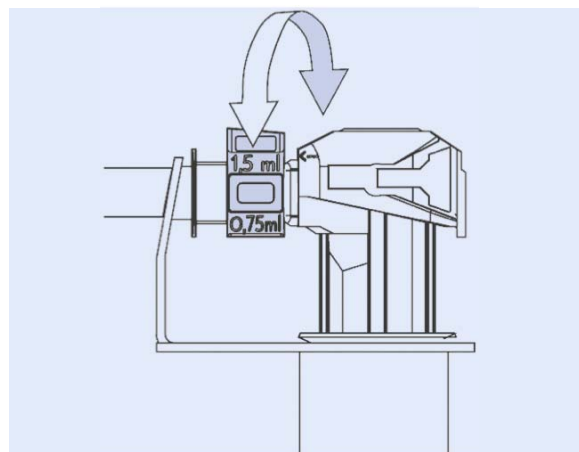
Dispenser for	350/500 ml	1000 ml
Depth incl. long arm lever	215 mm	220 mm
Height	295 mm	340 mm
Width	82 mm	90 mm

## Material

- Cover made of matt silver, anodised aluminum; corrosion-resistant and shock-proof
- Panel, control lever and liquid pump made of stainless V2A+-steel
- Rear panel made of PA (Polyamide) and outlet screen made of POM (Polyoxymethylene) plastics with good alcohol and tension resistance
- All materials were tested for food conformity

## Dosing

The dispenser is adjusted to the maximum dosing amount of approx. 1.5 ml/actuation. If required, the dosing amount can be reduced stepwise to approx. 0.75 ml/actuation by turning the dosing piece.



# BODE Eurodispenser 1 plus

## Mounting instructions

### Preparation of the mounting location

When selecting the mounting location, the following points have to be considered:

- irrespective of dispenser type, provide for a space of approx. 50 mm (necessary for dismantling the dispenser)
- keep a minimum distance between dispenser and top edge of wash basin or work space (for trouble-free bottle exchange)
- the wall should be clean, dry and even
- mind the bearing capacity: besides weight of dispenser, pump and product bottle, the load of arm lever actuation has to be considered. Therefore, please only use the provided mounting material for attaching the Eurodispenser to the wall
- make sure that no electric cables, gas mains or other utility cables and pipes are damaged by drilling

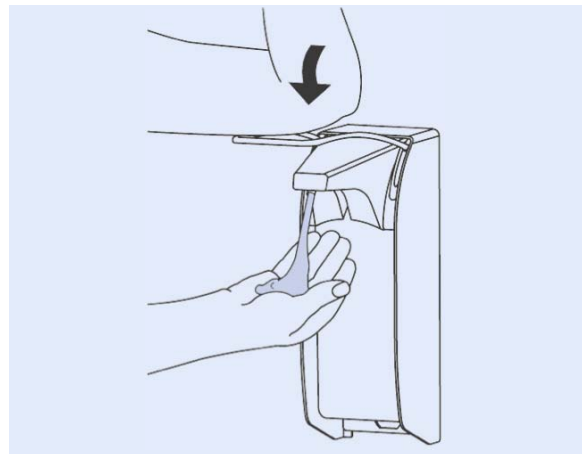
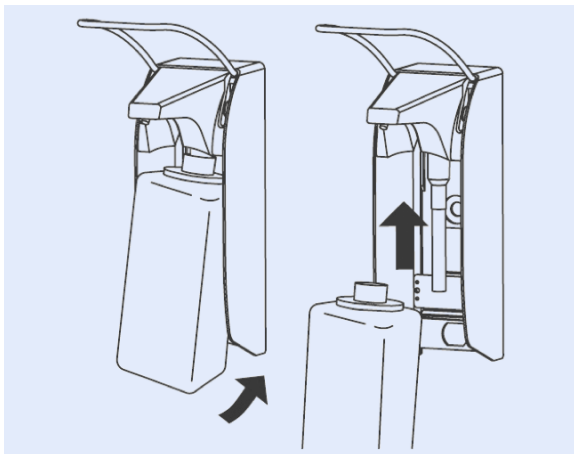
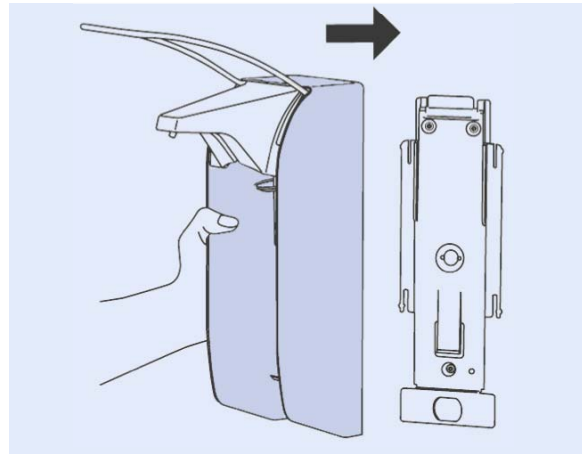
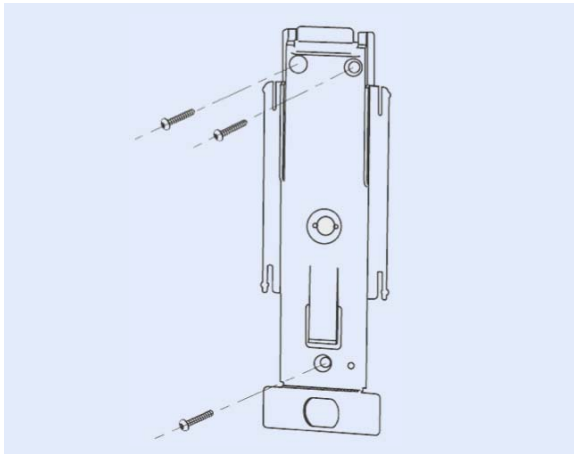
Warning: the BODE Eurodispenser 1 plus cannot be attached to the wall with Powerstrips. For secure mounting use the provided mounting material.

### Mounting

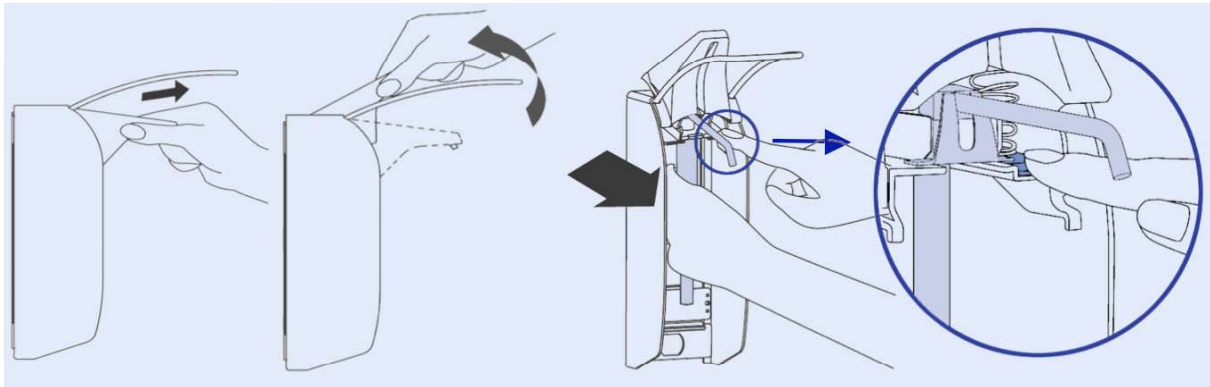
For mounting you need a drilling machine, a 6 mm drill (type depends on wall material), and a screwdriver or a cordless screwdriver. All other mounting material (wall anchors, screws, shims) is included in delivery. Data on dispenser dimensions, necessary minimum distance to washbasin/work space, etc. you will find in the aforementioned detail drawings.

Mark drill holes on the wall, carry out drilling and put wall anchors in. Take dispenser out of the cardboard box:

1. Press locking tongue and pull wall holder off the housing
2. Mount backplate with wall anchors and screws at the designated location
3. Slide dispenser on the backplate (top down) until the locking tongue snaps in
4. Put bottle in dispenser (bottom-up)
5. For activation press arm lever several times, so that the dip tube sucks in the product. In doing so, hold your hand under the outlet



# BODE Eurodispenser 1 plus



## Pump exchange

Slightly pull and then turn the outlet cover upwards. Keep pump lock pressed and pull pump out.

## Reprocessing

Cleaning and disinfection of the dispenser body and dosing pump should be carried out each time the bottle is exchanged.

### Manual reprocessing of the dispenser

- take bottle out of dispenser
- take dosing pump out
- push cap up by pressing the locking tongue
- rinse cover thoroughly under hot running water until no product residuals are visible anymore
- clean rear, screwed on dispenser part with moistened disposable tissue
- spray both dispenser parts with an alcohol-based surface disinfectant and wipe them with disposable tissues if required; pay attention to application time
- slide on cover
- put in new or separately reprocessed dosing pump (see below)
- hook in new bottle and pump product through

### Manual reprocessing of the pump

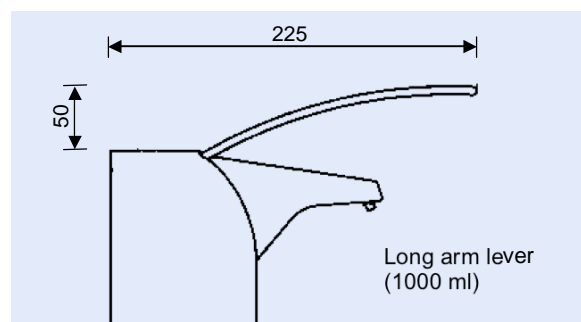
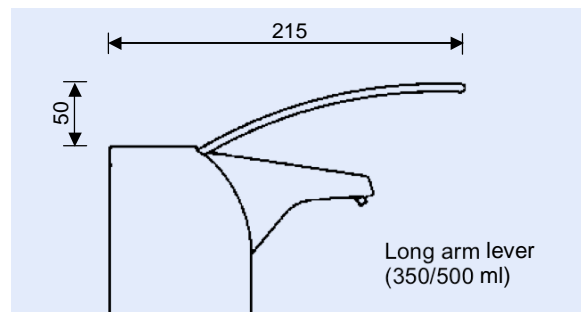
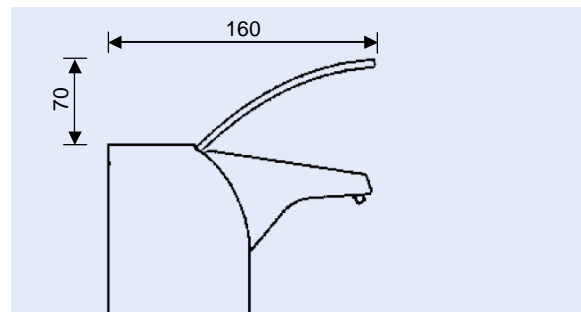
- First of all, rinse pump thoroughly with hot water and cleanse it of product residuals
- Rinse pump thoroughly with alcohol-based surface disinfectant and leave it for 5 minutes
- Afterwards pump it dry
- After complete drying, insert pump again or store it in dust-free area

Note: Do not use abrasives or corrosive cleaners

### Sterilisation

For routine usage and compliance with the hygiene standards, manual cleaning and disinfection of dispenser and dosing pump (like described above) suffice. In areas, where hygiene is of particular importance, a higher hygiene standard may be necessary. In these cases all removable parts of the BODE Eurodispenser 1 plus can be autoclaved with superheated steam (121°C, 1 bar).

## Arm lever lengths



# BODE Eurodispenser 1 plus

## Accessories

### Accessories for 350 / 500 ml metal dispenser

	Sales unit	Art. No.
■ Locking device	1 pc	975577
■ Steel replacement pump	1 pc	975575
■ Back board	1 pc	826420
■ Mounting angle	1 pc	974870
■ Drop catcher	1 pc	974750
■ Drop catcher with separate wall fixation	1 pc	974762
■ Bed frame fixation	1 pc	974613

### Accessories for 1000 ml metal dispenser

	Sales unit	Art. No.
■ Locking device	1 pc	975578
■ Steel replacement pump	1 pc	975576
■ Back board	1 pc	826440
■ Mounting angle	1 pc	974880
■ Drop catcher	1 pc	974760
■ Drop catcher with separate wall fixation	1 pc	974762
■ Bed frame fixation	1 pc	974614

## BODE Eurodispenser 1 plus

Available size	Sales unit	Art. No.
<b>for 350 / 500 ml bottles</b>		
with short arm lever (total depth 160 mm)	1 pc	981098
with long arm lever (total depth 215 mm)	1 pc	975570

### for 1000 ml bottles

with short arm lever (total depth 160 mm)	1 pc	981099
with long arm lever (total depth 220 mm)	1 pc	975572

## Counter

The integrated counter function reliably measures the number of times the dispensers is used.

The counter function can help collect data about hand hygiene practices in hospitals at regular intervals, which in turn can be registered and evaluated. The results make it possible to gain an insight into the daily hand hygiene practices in a hospital or in wards. With this counter function e.g. wards can be compared with each other.

Available size	Sales unit	Art. No.
<b>for 350 / 500 ml bottles</b>		
with long arm lever (total depth 215 mm)	1 pc	981124
<b>for 1000 ml bottles</b>		
with long arm lever (total depth 220 mm)	1 pc	981125

